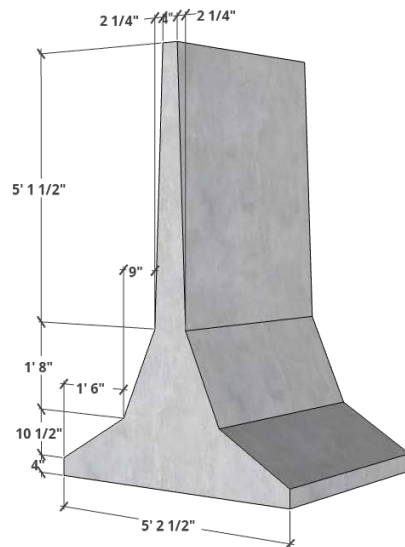


GENERAL NOTES

- 1.) PANELS ARE DESIGNED FOR SELF WEIGHT ONLY
- 2.) NO LATERAL FORCES ARE TO BE APPLIED
- 3.) PANELS ARE TO BE PLACED ON SMOOTH, CLEAN, LEVEL SURFACE
- 4.) SELF WEIGHT 6200 LBS PER 4'0" SECTION
- 5.) NO BUGHOLES - SMOOTH FINISHED EXPOSED SURFACES
- 6.) CONCRETE:

28 DAY - 35 MPa
 REL. - 15 MPa
 AIR - 5-7%

- 7.) PANELS TO MEET CSA A23.4-16



8 FOOT T-WALL

CONCRETE	RELEASE 28 day 15 MPa 35 MPa	AIR 6-8%	SLUMP 75mm	TYPE 50	DWG. NO.
VOLUME	SELF WEIGHT		W10-16		
1.14 m ³	2812 kg	6200 lbs			
DATE: JAN 2024	ODE	BY: JB	Rev. 0		