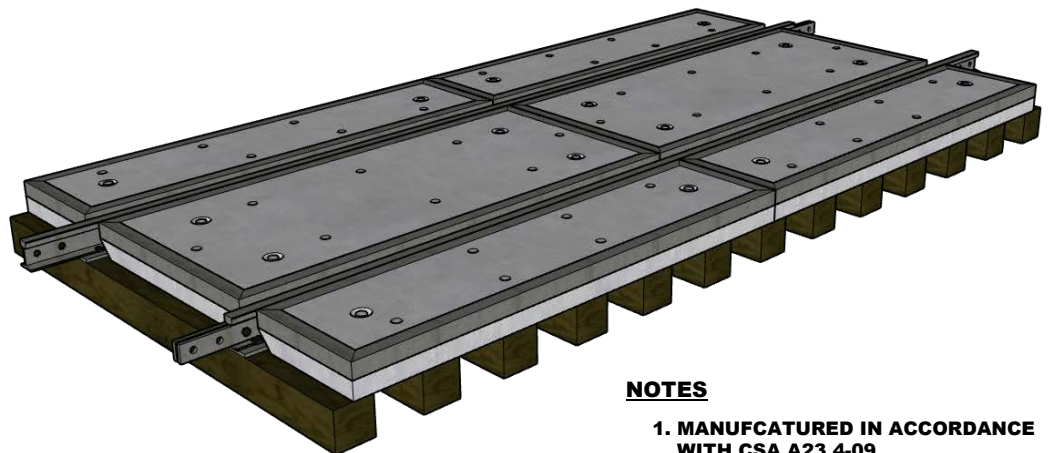


**GAUGE PADS**

2745mm X 1282mm X 356mm  
 0.61 m<sup>3</sup>  
 1525 KGS  
 3362 LBS

**FIELD PADS**

2745mm X 686mm X 356mm  
 0.32 m<sup>3</sup>  
 800 KGS  
 1764 LBS



**NOTES**

1. MANUFACTURED IN ACCORDANCE WITH CSA A23.4-09



**GAUGE AND FIELD PADS FOR RAILROAD CROSSING**

CONCRETE	RELEASE 28 day 15 MPa 35 MPa	AIR 6-8%	SLUMP 75mm	TYPE 50	DWG. NO.
VOLUME	SELF WEIGHT		W9-32		
1.25 m <sup>3</sup>	3125 kg	6890 lbs			
DATE APR 2023	CODE 0100	BY JB	Rev. 0		