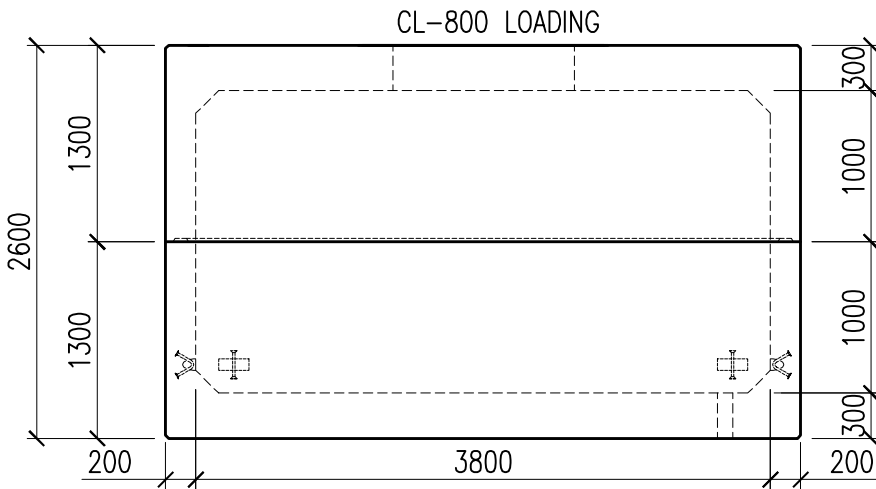
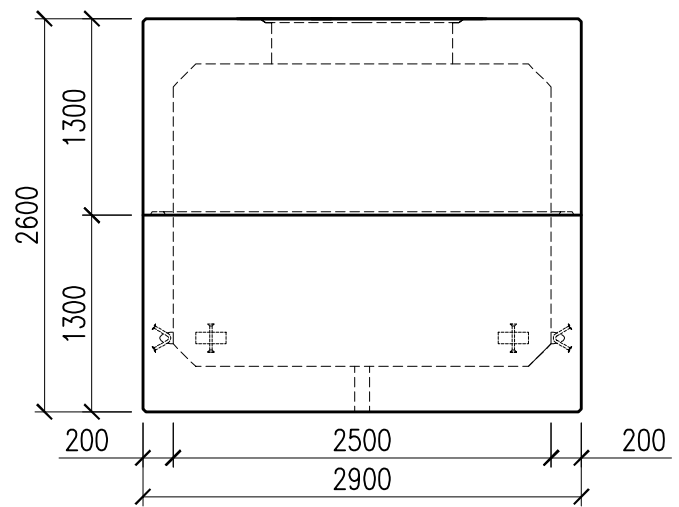


PLAN VIEW



SIDE VIEW



END VIEW

westcon
precast inc.

VAULT
2.9m x 4.2m x 2.6m

CONCRETE	RELEASE 28 day 15 MPa 35 MPa	AIR 6-8%	SLUMP 70mm	TYPE 50	DWG. NO. W1-10
VOLUME	SELF WEIGHT				
12.7 m ³	31,000 kg	68,300 lbs			
DATE: FEB. 2015	CODE: 0001	BY: CW	Rev. 0		