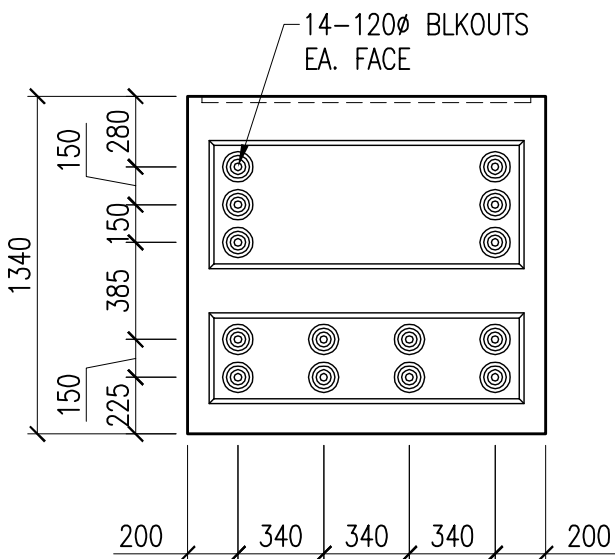
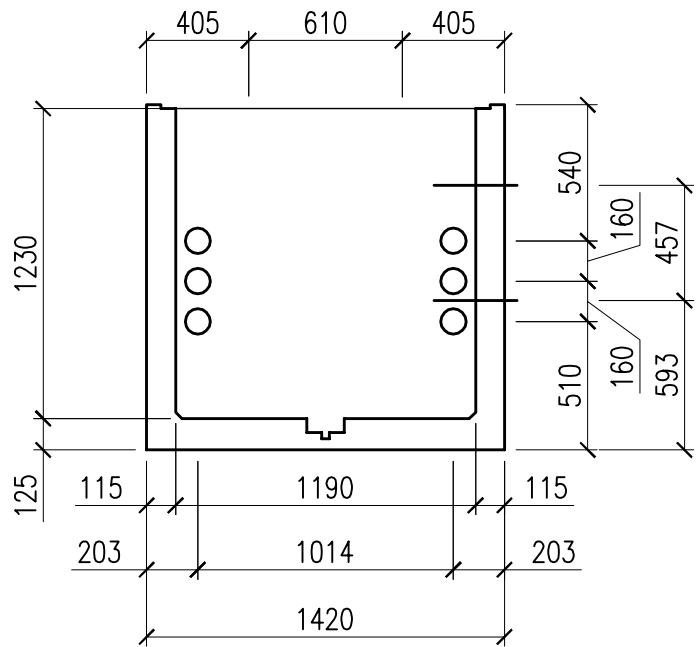


**PLAN**



**ELEVATION  
CONC. KNOCKOUTS**



**SECTION  
DB2 KNOCKOUTS**

TO COME:

- EN max -7700
- PULL PIT (YYC) 1.6x1.6x3m WITH SLAB TOP

**westcon**  
precast inc.

**PULL BOX  
1220 x 1220 x 1220**

CONCRETE	RELEASE 28 day 15 MPa / 35 MPa	AIR 6-8%	SLUMP 70mm	TYPE 50
VOLUME	SELF WEIGHT			
0.43 m <sup>3</sup>	982 kg	2160 lbs		
DATE: FEB. 2015	CODE: 0101	BY: CW		

DWG. NO.  
**W1-01**  
Rev. **O**