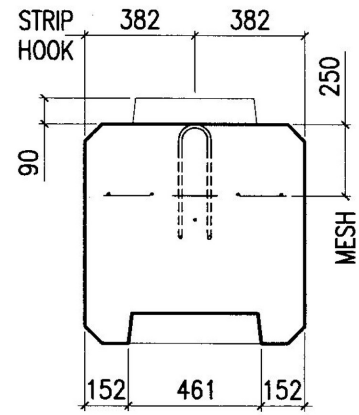
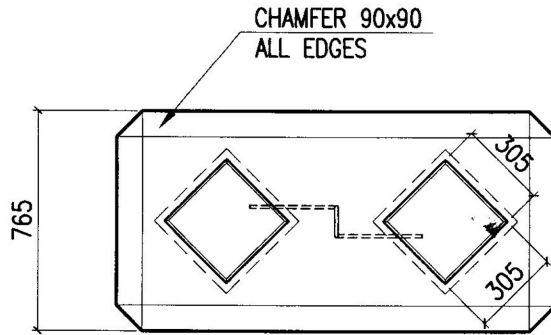


ELEVATION



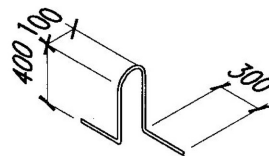
SECTION B



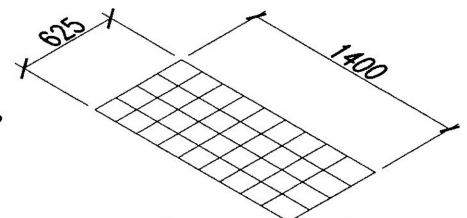
VIEW A

NOTE:

- 1.) WETCON MEGA BLOCK IS NOT AN ENGINEERED PRODUCT.
- 2.) ANY USE IS AT THE SOLE DISCRETION AND RESPONSIBILITY OF THE END USER.
- 3.) MEGA BLOCK MAY HAVE POUR JOINTS AND CONCRETE DOES NOT MEET ANY SPECIFICATION.



20Ø M.S. BAR x 1500.
BEND AROUND 100Ø PIN



MIN. 6" x 6" SPACING 3/8
GAUGE MESH

		LOCK BLOCK		wes-mb-01
0 ISSUED FOR INFORMATION		JULY 2009		REV. 0
DATE: JULY 2009	DR. CW	CH.		
westcon			WO.: 09-S3-d	
precast inc. 19 rel drive, St. Albert				