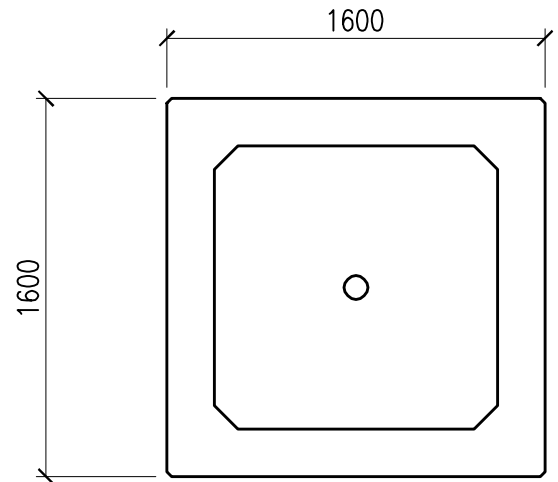


SECTION A



SECTION B

westcon
precast inc.

LIFT STATION VAULT
1.6 x 1.6

CONCRETE	RELEASE 28 day 15 MPa 35 MPa	AIR 6-8%	SLUMP 75mm	TYPE 50	DWG. NO. W1-11
VOLUME	SELF WEIGHT				
3.60 m ³	8745 kg	19280 lbs			
DATE: FEB. 2015	CODE: 0101	BY: CW	Rev. O		