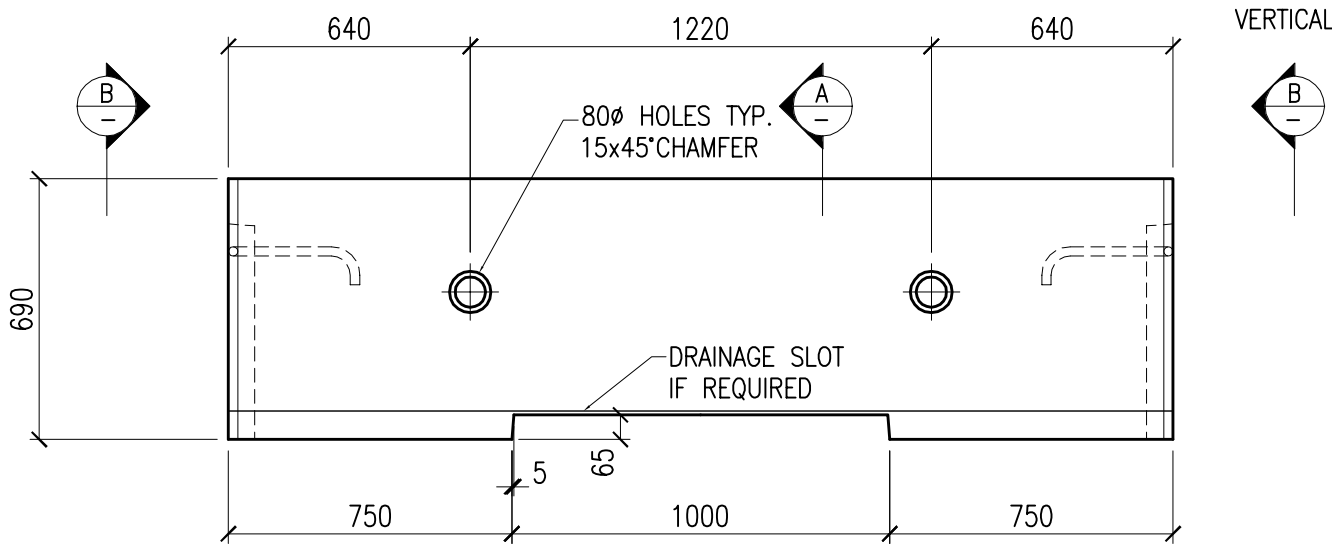
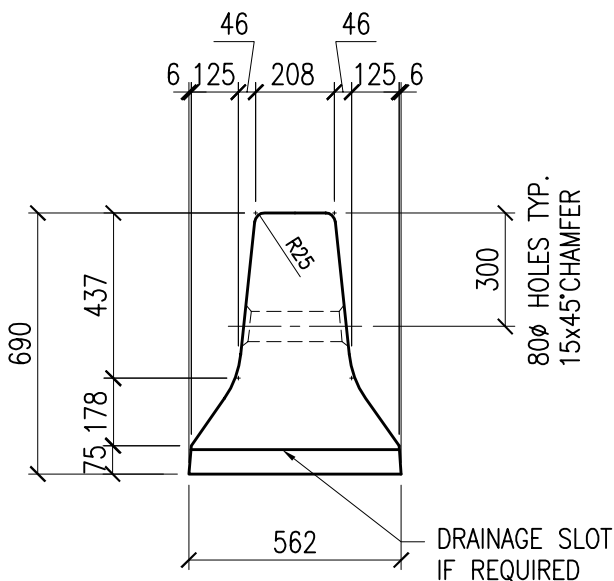


PLAN VIEW

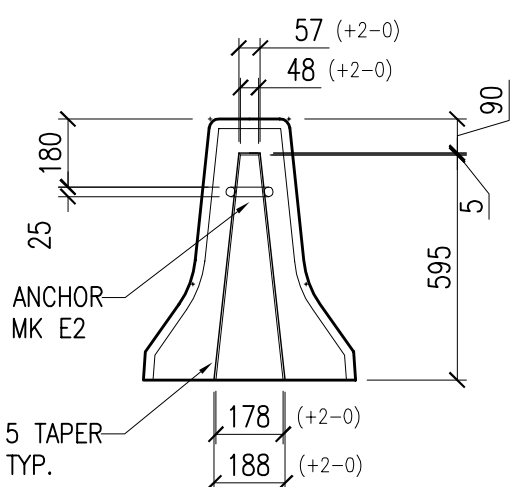
25mm CHAMFER
TYPICAL ALL
VERTICAL CORNERS



ELEVATION



SECTION A



END VIEW B

	<p>BARRIER 690-CRB-E BC MoT</p>	<table border="1"> <tr> <td>CONCRETE</td> <td>RELEASE 28 day 15 MPa 35 MPa</td> <td>AIR 6-8%</td> <td>SLUMP 75mm</td> <td>TYPE 50</td> <td rowspan="2" style="text-align: center; vertical-align: middle;"> DWG. NO. W5-12 </td> </tr> <tr> <td>VOLUME</td> <td colspan="2">SELF WEIGHT</td> <td></td> </tr> <tr> <td></td> <td>0.57 m³</td> <td>1400 kg</td> <td>3100 lbs</td> <td></td> <td></td> </tr> </table>	CONCRETE	RELEASE 28 day 15 MPa 35 MPa	AIR 6-8%	SLUMP 75mm	TYPE 50	DWG. NO. W5-12	VOLUME	SELF WEIGHT				0.57 m ³	1400 kg	3100 lbs		
		CONCRETE	RELEASE 28 day 15 MPa 35 MPa	AIR 6-8%	SLUMP 75mm	TYPE 50	DWG. NO. W5-12											
		VOLUME	SELF WEIGHT															
			0.57 m ³	1400 kg	3100 lbs													
DATE: FEB. 2015	CODE: ???	BY: CW	Rev. O															