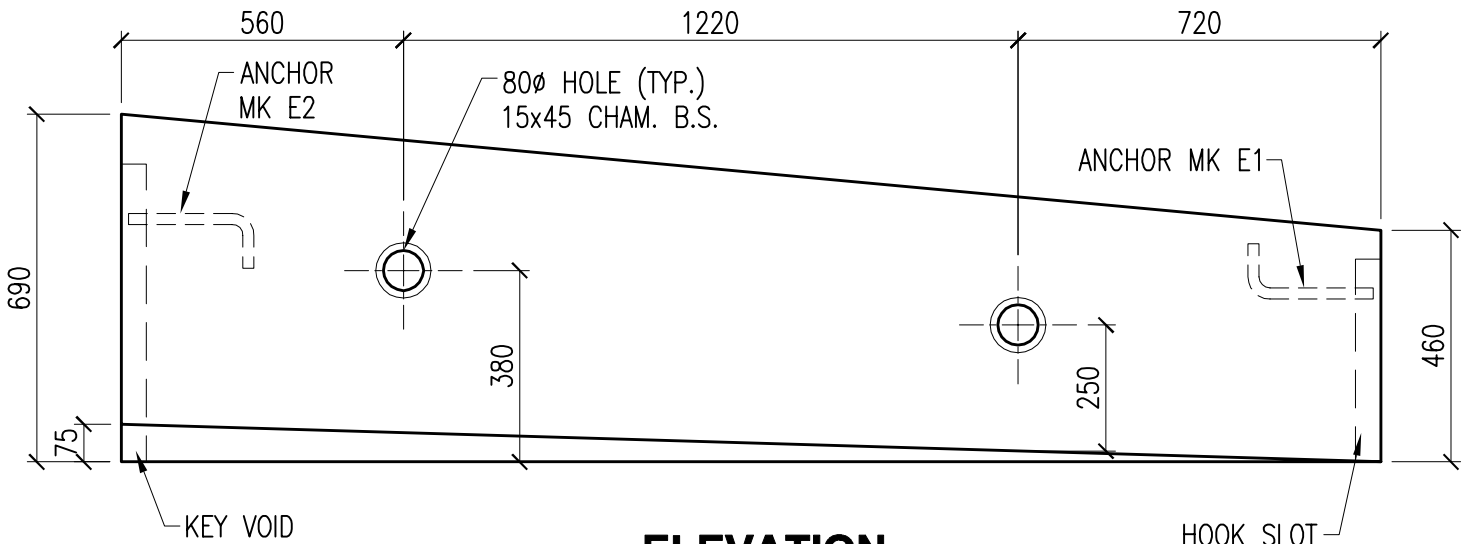


PLAN VIEW



ELEVATION

westcon
precast inc.

**TRANSITION
BARRIER 690mm TO
460 CTB-1E**

CONCRETE	RELEASE 28 day 15 MPa 35 MPa	AIR 6-8%	SLUMP 75mm	TYPE 50	DWG. NO. W5-16
VOLUME	SELF WEIGHT				
0.19 m ³	465 kg	1030 lbs			Rev. 0
DATE: FEB. 2015	CODE: 0001	BY: CW			