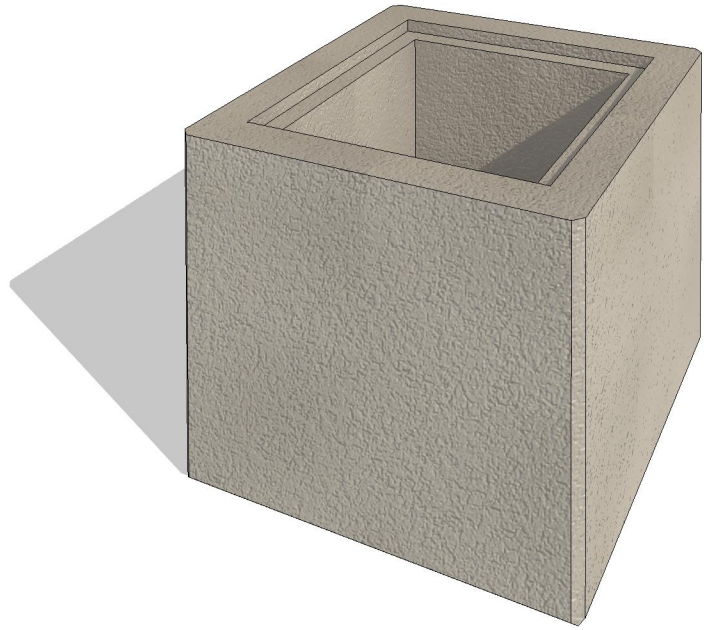
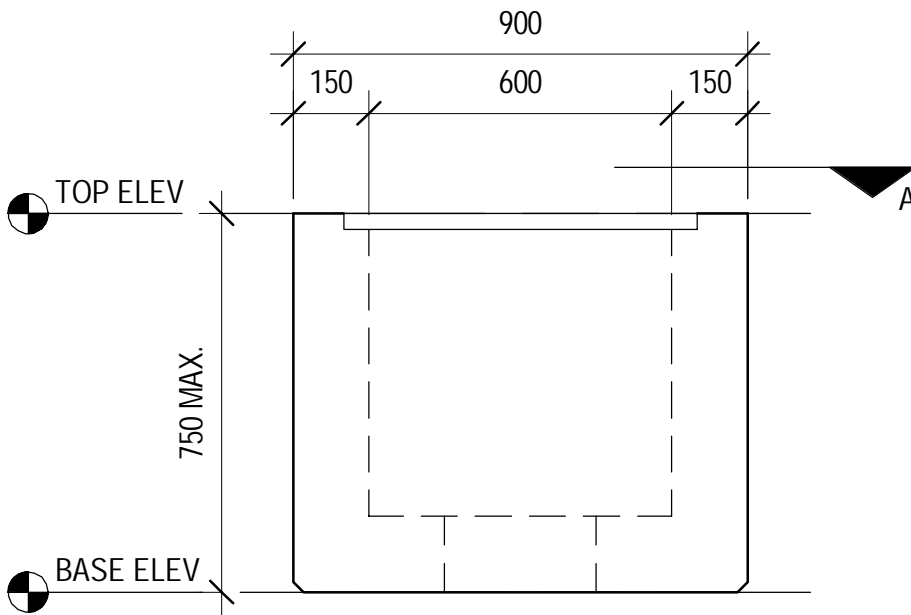


**TOP VIEW A**



**ELEVATION**



**FRONT ELEVATION**



**VAULT**  
600 x 600 x 600 ID

|                    |                   |                  |             |               |            |                          |
|--------------------|-------------------|------------------|-------------|---------------|------------|--------------------------|
| CONCRETE           | RELEASE<br>15 MPa | 28 day<br>35 MPa | AIR<br>5-8% | SLUMP<br>70mm | TYPE<br>50 | DRW. NO.<br><b>W1-21</b> |
| VOLUME             |                   | SELF WEIGHT      |             |               |            |                          |
| 0.40m <sup>3</sup> |                   | 980 kg           |             | 2200 lbs      |            | Rev. A                   |
| DATE:<br>MAY 2022  | CODE:<br>0004     |                  | BY:<br>AB   |               |            |                          |