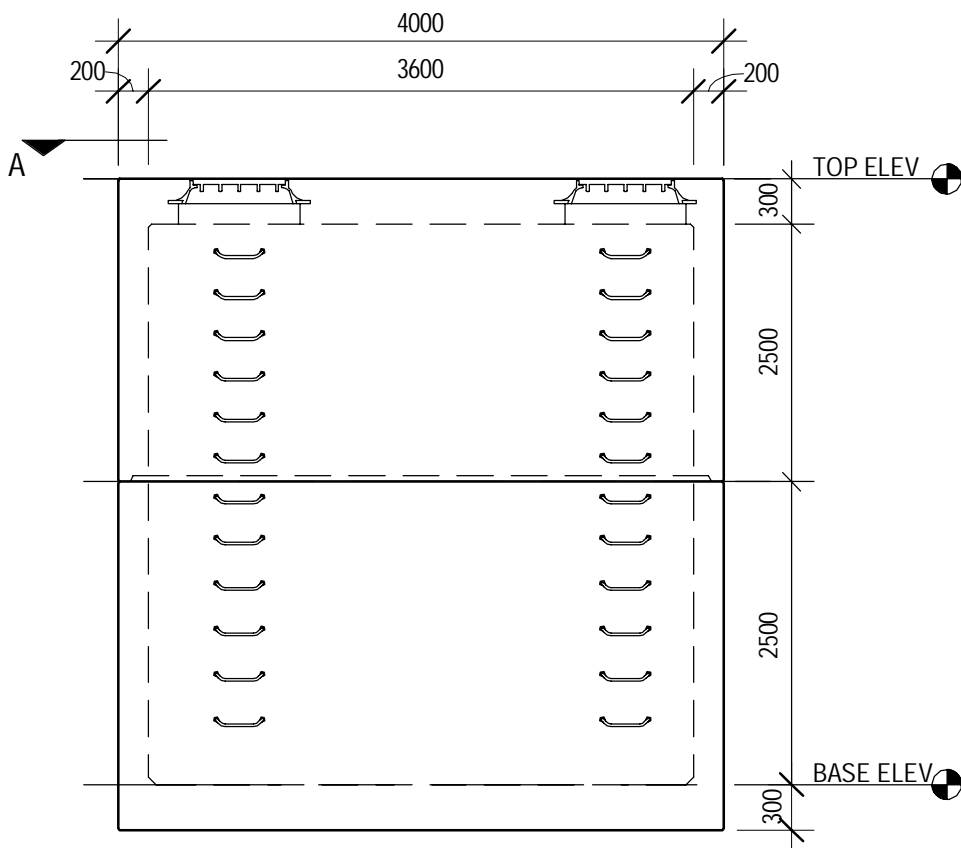


TOP VIEW A



ELEVATION



FRONT ELEVATION



VAULT
3600 x 3600 x 2000 ID

CONCRETE	RELEASE 15 MPa	28 day 35 MPa	AIR 5-8%	SLUMP 70mm	TYPE 50	DRW. NO. W1-20
VOLUME		SELF WEIGHT				
17.6m ³		44000 kg		96800 lbs		Rev. A
DATE: APRIL 2022	CODE: 0100	BY: AB				