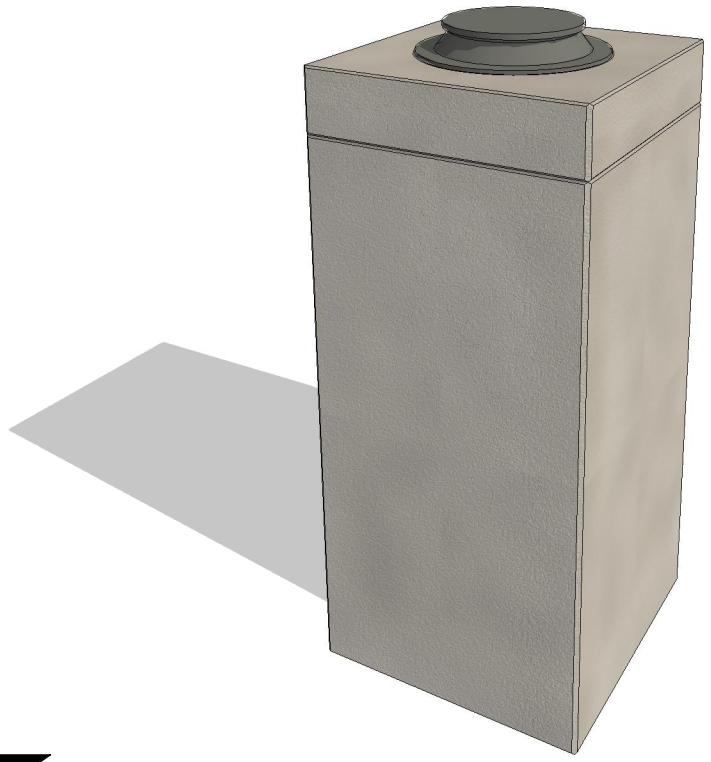
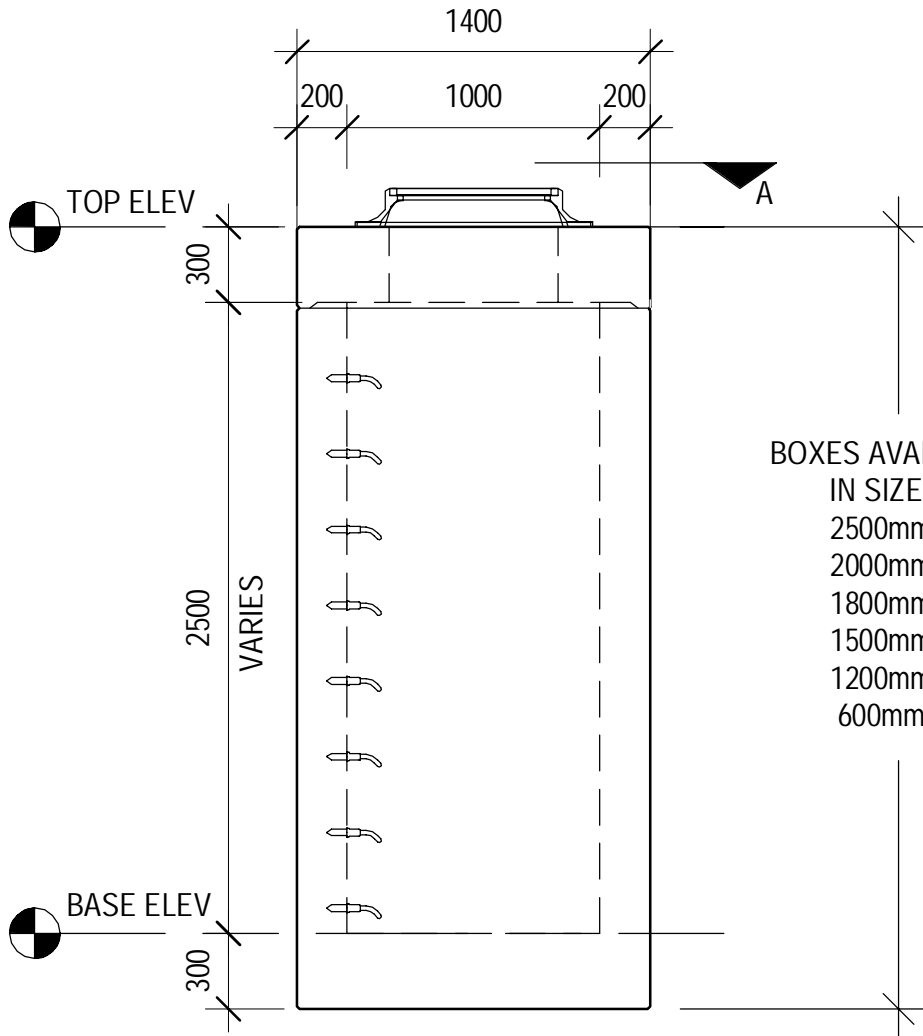


TOP VIEW A



ELEVATION



FRONT ELEVATION

BOXES AVAILABLE  
IN SIZES  
2500mm  
2000mm  
1800mm  
1500mm  
1200mm  
600mm



VAULT  
1000 x 1000 x 2500 ID

CONCRETE	RELEASE 15 MPa	28 day 30 MPa	AIR 5-8%	SLUMP 70mm	TYPE 50	DRW. NO. <b>W1-13</b>
VOLUME	SELF WEIGHT					
3.51m <sup>3</sup>	8600 kg	18959 lbs				Rev. A
DATE: APRIL 2022	CODE: 0202	BY: AB				